



# Gas Discharge Tube: GD8-U Series



## 2-Electrode Φ8.0 x T6 mm High Surge Type

### ■ Characteristics

Part No.	DC Spark-over Voltage	Max. Impulse Breakdown Voltage		Max. Impulse Discharge Current (8/20μs)		Impulse Life (10/1000μs)	Normal Alternating Discharge Current	DC Holdover Voltage	Minimum Insulation Resistance	Maximum Capacitance (1MHz)	Safety Approvals			
	100V/S	100V/μs	1KV/μs	1 time	10 times	100A	50Hz, 1Sec	<150ms			(GΩ)	(pF)	UL 497B	UL 1449
	(V)	(V)	(V)	(KA)		(Times)	(A)	(V)					(V)	
GD82R070□□U	70±20%	500	600	25	20	500	20	52	10	1.5	√			
GD82R090□□U	90±20%	500	600					52			√			
GD82R120□□U	120±20%	500	700					52			√			
GD82R130□□U	130±20%	500	700					52			√			
GD82R145□□U	145±20%	500	700					52			√			
GD82R230□□U	230±20%	500	700					80			√			
GD82R250□□U	250±20%	500	700					135			√			
GD82R300□□U	300±20%	700	900					150			√			
GD82R350□□U	350±20%	700	900					150			√			
GD82R400□□U	400±20%	800	1000					150			√			
GD82R470□□U	470±20%	900	1100					150			√			
GD82R600□□U	600±20%	1100	1300					150			√	√		

Note1: The first □ is style of lead wire, and the second □ is packaging.

Note2: H = High Surge Series

Note3: UL 497B File No. E245070

Note 4: Insulation resistance test conditions:

DC Spark-over Voltage	DC Measuring Voltage
70-150V	50V
151-400V	100V
401-600V	250V

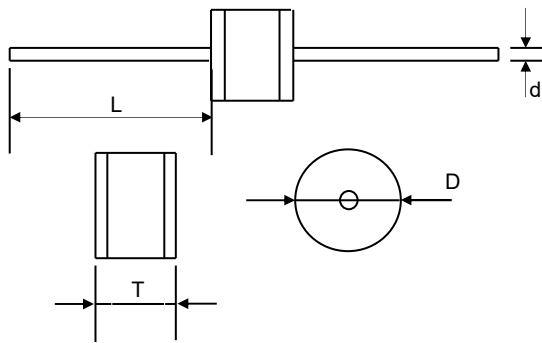
# Gas Discharge Tube: GD8-U Series



## 2-Electrode $\Phi 8.0$ x T6 mm High Surge Type

### Dimension

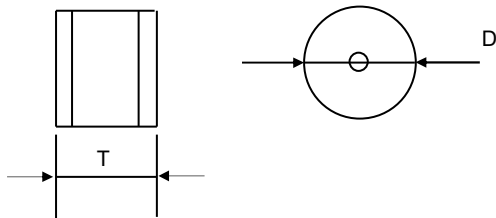
□ = Y (Axial Lead Type)



(Unit: mm)

Item	Dimensions	
	Spec.	Tolerance
D	8.0	+0.3/-0.5
T	6.0	+0.3/-0.5
L	20	Min.
d	1.0	$\pm 0.05$

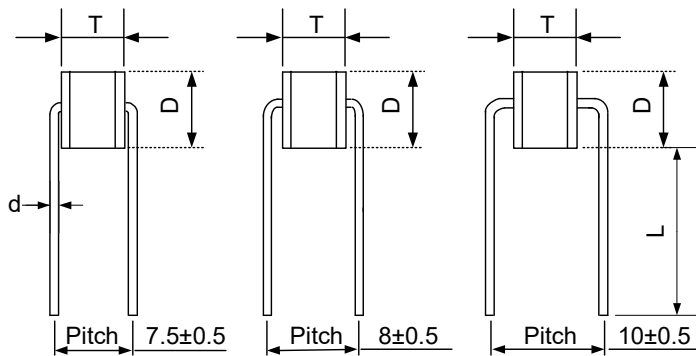
□ = M (No Lead Type)



(Unit: mm)

Item	Dimensions	
	Spec.	Tolerance
D	8.0	+0.3/-0.5
T	6.0	+0.3/-0.5

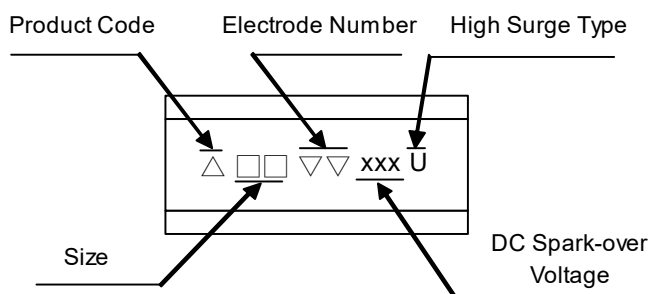
□ = C, D, or E (Formed Lead)



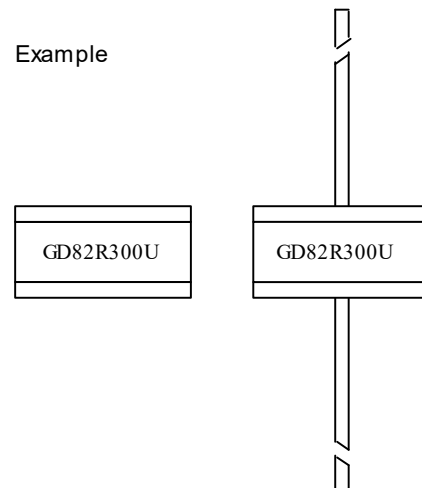
(Unit: mm)

Item	Dimensions	
	Spec.	Tolerance
D	8.0	+0.3/-0.5
T	6.0	+0.3/-0.5
d	1.0	$\pm 0.05$
L	15.0	Min.
	7.5	$\pm 0.5$
	8	$\pm 0.5$
P	10	$\pm 0.5$

### Marking



Example



# Gas Discharge Tube: GD8-U Series



## 2-Electrode $\Phi 8.0$ x T6 mm High Surge Type

### ■ Packaging

#### ● Bulk

- ◆ For No Lead (M Type) and Axial Lead (Y Type):

Quantity: 100pcs per PVC Box, 500pcs per Inner Box

Quantity (MPQ): 500pcs

- ◆ For Formed Lead (C, D, or E Type) :

Quantity: 100pcs per PVC Box, 500pcs per Inner Box

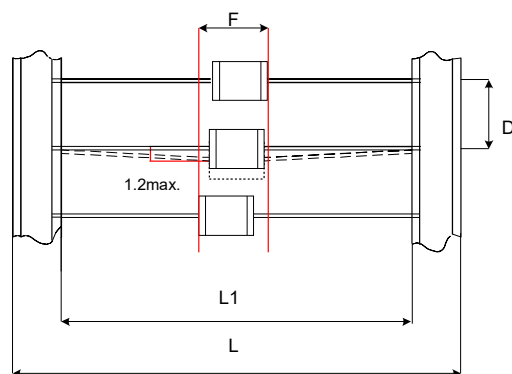
Quantity (MPQ): 500pcs

#### ● Taping

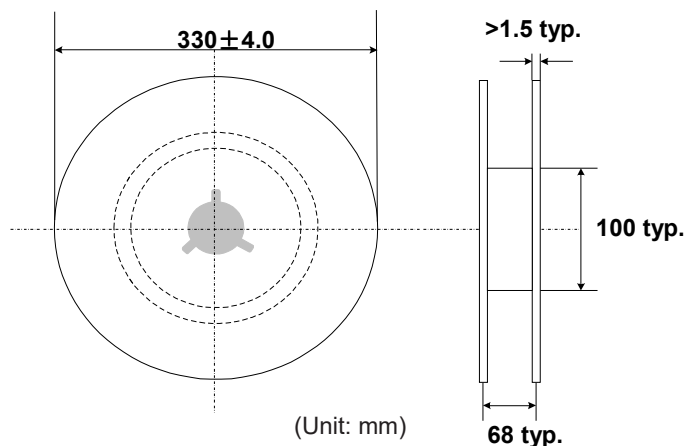
For 2-electrode Axial Lead GDT: 500 PCS/Reel

Quantity (MPQ): 500pcs

(Unit: mm)



Item	Dimensions	
	Spec.	Tolerance
L1	52	$\pm 2$
L	64	$\pm 3$
D	10	$\pm 0.5$
F	T + 1.4	Max.



### ■ Warehouse Storage Conditions of Products

#### ● Storage Conditions:

1. Storage Temperature:  $-10^{\circ}\text{C} \sim +40^{\circ}\text{C}$
2. Relative Humidity:  $\leq 75\% \text{RH}$
3. Keep away from corrosive atmosphere and sunlight.

#### ● Period of Storage: 1 year